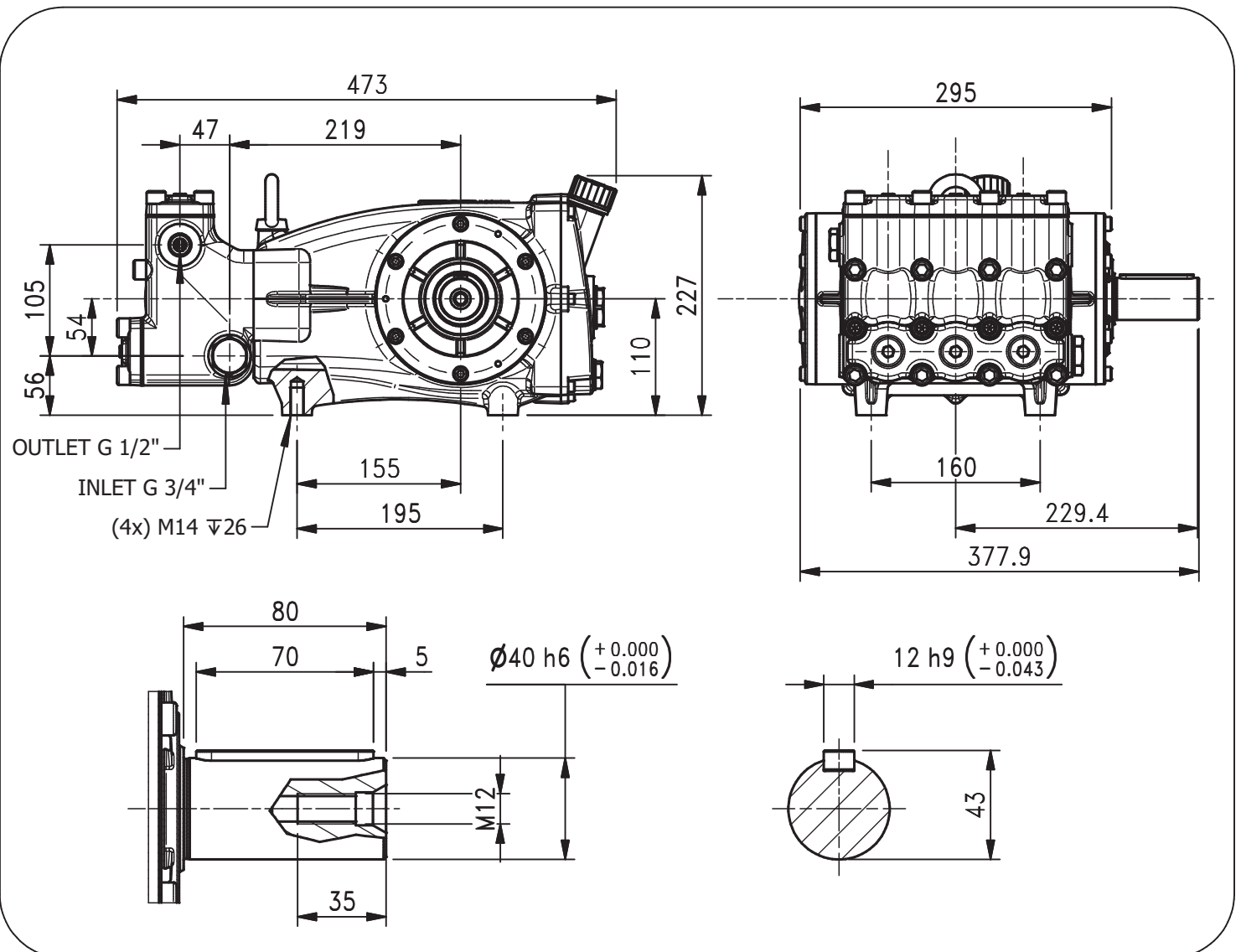


Pump Pompe Pumpen Pompa	Pressure Pression Druck Pressione		Volume Débit Wassermenge Portata		RPM tours/min u.p.m. giri/min	Power Puissance Leistung Potenza		Inlet port Entrée Eingang Aspirazione	Outlet Sortie Ausgang Mandata	Weight Kg Poids Kg Gewicht Kg Peso Kg
	bar	PSI	l/min	GPM		HP	kW			
HHP2750	500	7250	27	7.1	1450	35.5	26.1	G 3/4	G 1/2	51
HHP3650	500	7250	36	9.5	1450	46.9	34.5	G 3/4	G 1/2	51
HHP4150	500	7250	41	10.8	1450	53.7	39.5	G 3/4	G 1/2	51
HHP5040	400	5800	50	13.3	1740	51.5	37.9	G 3/4	G 1/2	51

Dimensioni d'ingombro

Overall dimensions



Lubrificazione: Olio SAE 10W40  
Capacità: 3,5 Litri

Lubrication: SAE 10W40 Oil  
Capacity: 3,5 Litres